

# ILUMINARC®

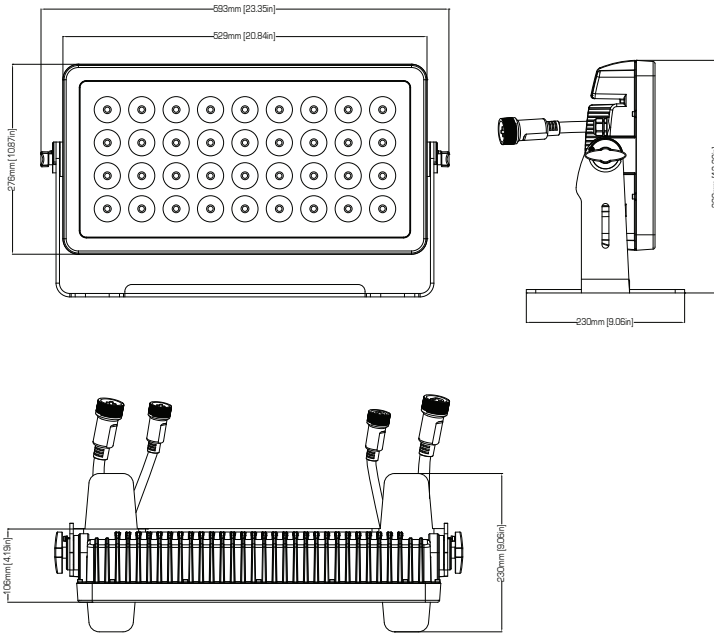
## COLORIST Panel 36Qa

Item Number: 03620840

Client: \_\_\_\_\_

Project: \_\_\_\_\_

Date: \_\_\_\_\_ Type: \_\_\_\_\_



### LIGHT SOURCE & OPTICAL SPECIFICATIONS

Light Source: 36 LEDs (quad color RGBA) 15 W, (985 mA)  
Light Source Lifespan: 50,000 hours based on LED manufacturer's specifications  
Installed Optics: 15°  
Beam Angle: 16°  
Field Angle: 27°  
Lumens: 5,206  
Base Illuminance: 5,070 lux @ 5 m  
Efficacy: 22.2 lm/W  
Minimum Distance to Illuminated Surface: 4 in (92 mm)

### ELECTRICAL SYSTEM SPECIFICATIONS

Input Voltage: Auto-ranging 100 to 240 VAC, 50/60 Hz  
Power and Current:  
251 W, 2.1 A @ 120 V  
238 W, 1.1 A @ 230 V  
Power Supply: Electronic internal  
Dimmer: Electronic  
Power Linking: 6 units @ 120 V, 11 units @ 208 V, 12 units @ 230 V  
Power Connection: 6.6 ft (2 m) Waterproof cable, Edison plug to proprietary IP66 input power cord

### CONSTRUCTION & PHYSICAL SPECIFICATIONS

Length: 9.1 in (230 mm)  
Width: 23.3 in (593 mm)  
Height: 13.3 in (338 mm)  
Weight: 36.6 lb (16.6 kg)  
Color: Off white  
Ingress Protection Rating: IP65  
Housing Material: Cast aluminum  
Lens Cover: Impact resistant glass  
Installation Orientation: Installation Orientation: Fixture aperture vertical up +/- 170°

### THERMAL SPECIFICATIONS

Cooling: Convection  
Startup Temperature Range: -4 °F to 104 °F [-20 to 40] °C  
Operating Temperature Range: -20 °F to 110 °F [-29 to 43] °C

### REGULATORY & VOLUNTARY QUALIFICATION

Certification Listings: MET, CE  
Environment: Wet location, IP65, All indoor and limited outdoor permanent installations. Please refer to the User Manual and/or the Quick Reference Guide  
Warranty: 24 month manufacturer's limited warranty (for covered regions only)

### CONTROL SPECIFICATIONS

Control Protocol: USITT DMX-512a  
Control Channels: 4, 6 or 10  
Stand Alone Control: Yes  
Data Connection: 6.6 ft (2 m) Waterproof Cable

Product  
Web Page



WWW.ILUMINARC.COM - INFO@ILUMINARC.COM

Iluminarc reserves the right to make improvements to this product and its specifications at anytime without notice.

ILUMINARC.  
5200 NW 108th Ave.  
Sunrise, FL 33351  
+1.954.923.3680

# ILUMINARC®

## COLORIST Panel 36Qa

Item Number: 03620840

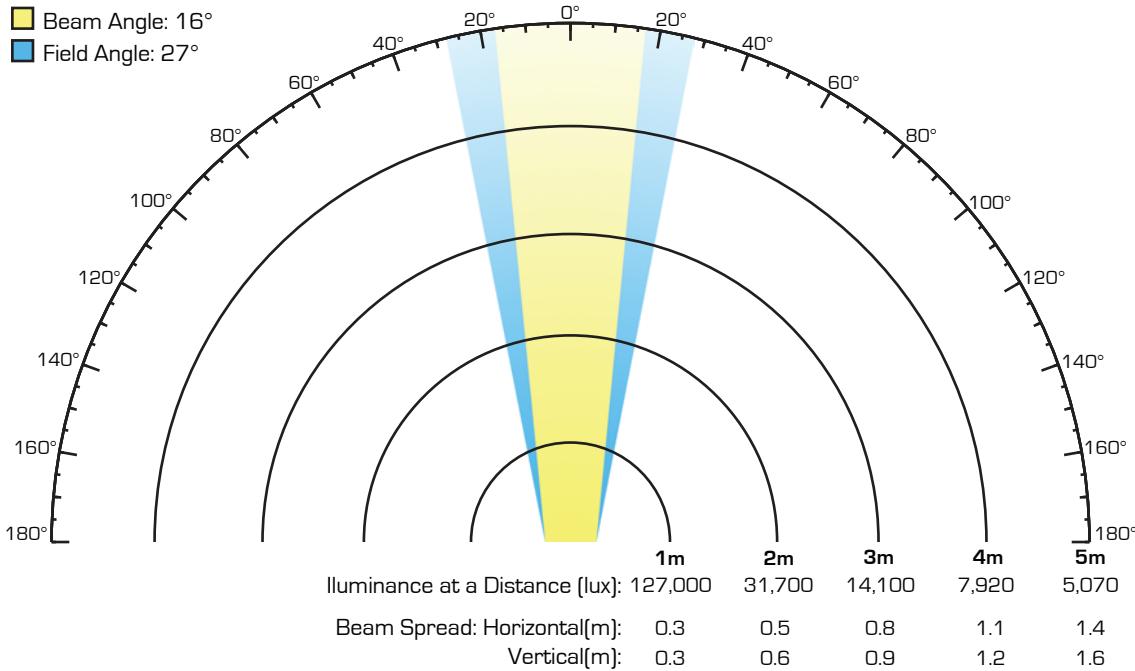
Client: \_\_\_\_\_

Project: \_\_\_\_\_

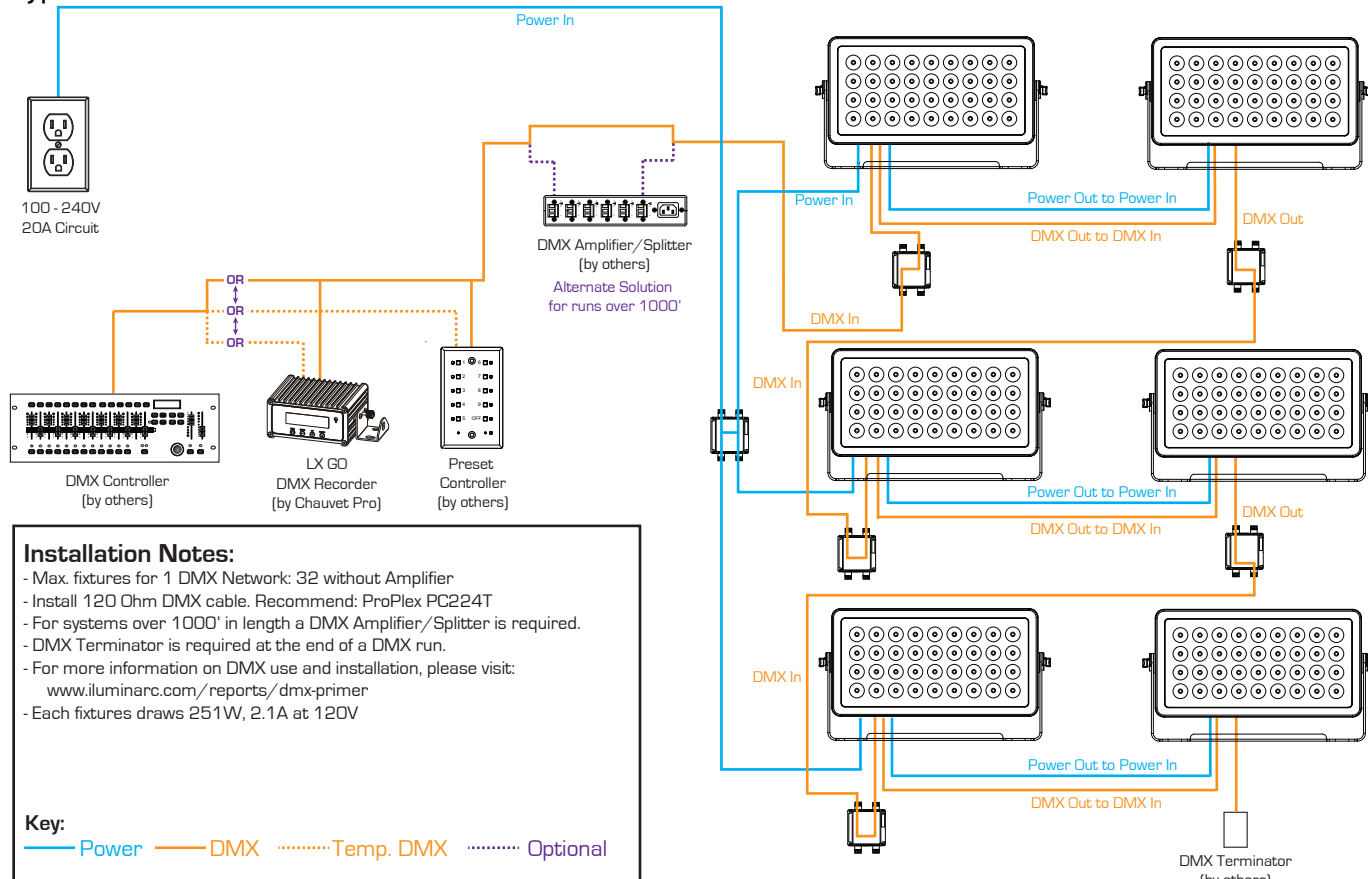
Date: \_\_\_\_\_ Type: \_\_\_\_\_

### Colorist Panel 36Qa

- Beam Angle: 16°
- Field Angle: 27°



### Typical Installation



#### Installation Notes:

- Max. fixtures for 1 DMX Network: 32 without Amplifier
- Install 120 Ohm DMX cable. Recommend: ProPlex PC224T
- For systems over 1000' in length a DMX Amplifier/ Splitter is required.
- DMX Terminator is required at the end of a DMX run.
- For more information on DMX use and installation, please visit:  
[www.iluminarc.com/reports/dmx-primer](http://www.iluminarc.com/reports/dmx-primer)
- Each fixtures draws 251W, 2.1A at 120V

#### Key:

— Power — DMX ..... Temp. DMX ..... Optional

WWW.ILUMINARC.COM - INFO@ILUMINARC.COM

Iluminarc reserves the right to make improvements to this product and its specifications at anytime without notice.

ILUMINARC.  
5200 NW 108th Ave.  
Sunrise, FL 33351  
+1.954.923.3680